



ANGLE GRINDER STAND

MODEL NO: SMS02.V2

Thank you for purchasing a Sealey product. Manufactured to a high standard, this product will, if used according to these instructions, and properly maintained, give you years of trouble free performance.

IMPORTANT: PLEASE READ THESE INSTRUCTIONS CAREFULLY. NOTE THE SAFE OPERATIONAL REQUIREMENTS, WARNINGS & CAUTIONS. USE THE PRODUCT CORRECTLY AND WITH CARE FOR THE PURPOSE FOR WHICH IT IS INTENDED. FAILURE TO DO SO MAY CAUSE DAMAGE AND/OR PERSONAL INJURY AND WILL INVALIDATE THE WARRANTY. KEEP THESE INSTRUCTIONS SAFE FOR FUTURE USE.



Refer to instruction manual



Wear protective gloves



Wear ear protection



Wear eye protection



Wear respiratory protection



Keep away from rain



Disconnect from power supply

1. SAFETY

- ❑ **WARNING!** Read all safety warnings, instructions, illustrations and specifications provided with this power tool. Failure to follow all instructions listed below may result in electric shock, fire and/or serious injury.
- ✓ Save all warning and instructions for future reference.
- 1.1. The stand is an accessory for an angle grinder and is to be used to convert the grinder to a cut off saw. Observe all grinder manufacturer's safety instructions.
 - ✓ The stand must be secured to a firm level surface.
 - ✓ Ensure the work area is clear of debris obstructions and well lit.
 - ✓ Ensure you have a stable footing (wear safety shoes) before starting to cut.
 - ✓ Ensure that no flammable materials are in the area before starting work.
 - ✓ Sparks from the grinder will damage paint, glass and other surfaces.
 - ✗ **DO NOT** wear nylon or polyester clothing whilst cutting, wear overalls which have suitable resistance to fire.
 - ✗ **DO NOT** wear loose clothing, hair jewellery etc. whilst using the grinder.
 - ✓ Keep children and bystanders at a safe distance when using the tool.
 - ✗ **DO NOT** use the grinder without the guard being in place. The plastic guard fitted to the stand is for the control of sparks only and is not designed to prevent parts of the cutting wheel causing injury. Use a grinder fitted with the original manufacturer's metal guard.
 - ✓ During assembly ensure that the metal/plastic guards are positioned between the cutting wheel and the operator, so that if the cutting wheel breaks the debris will not hit the operator.
 - ✓ Inspect the cutting wheel for damage including chips, cracks etc before each and every use.
 - ✗ **DO NOT** use a damaged wheel.
 - ✓ Check that all nuts, bolts and screws are tight before use, tighten as required.
 - ✓ Keep the power cord for the grinder away from the cutting wheel.
 - ✓ Use the support only with grinders with disc diameter 115mm or 125mm.
 - ✓ Use only cutting wheels with the grinder in this stand. **DO NOT** use wheels designed for grinding.
 - ✓ Ensure the wheel is square to the base of the support.
 - ✓ Ensure the material to be cut is securely held in the work clamp.
 - ✗ **DO NOT** try to cut materials which are too large to be safely held by the work clamp.
 - ✓ Allow the cutting wheel to come to a complete stop before attempting to remove material from the clamp.
 - ✓ Always unplug the grinder before attaching it to the stand, during any maintenance, when the stand is not in use or before dismantling.



2. INTRODUCTION

Cut-off stand with solid cast iron base for precise vertical cutting using an angle grinder. Supplied with a vice which mounts onto the base to secure the workpiece. Suitable for cuts of up to 30mm. Can be used with all Sealey Ø115 and Ø125mm angle grinders, plus most other branded grinders of the same size.

3. SPECIFICATION

Model No	SMS02.V2
Base Size	180 x 230mm
Nett Weight	2.47kg
Maximum Cutting Depth	30mm

4. CONTENTS

1	Base	11	Guard wire	21	Washer
2	Stand	12	Protective plastic guard	22	Screw nut
3	Washer	13	Bottom adjusting screw	23	Clamp
4	Screw M6	14	Angle grinder holder	24	Angle clamp
5	Screw M8	15	Round plastic ring	25	Screws M8
6	Stand (Top)	16	Screw M6	26	Washer
7	Top adjusting screw	17	Screw holder	27	Screw M5
8	Screw	18	Screw knob	28	Nut
9	Nut	19	Screw M8	29	Nut
10	Handle	20	Round clamp		

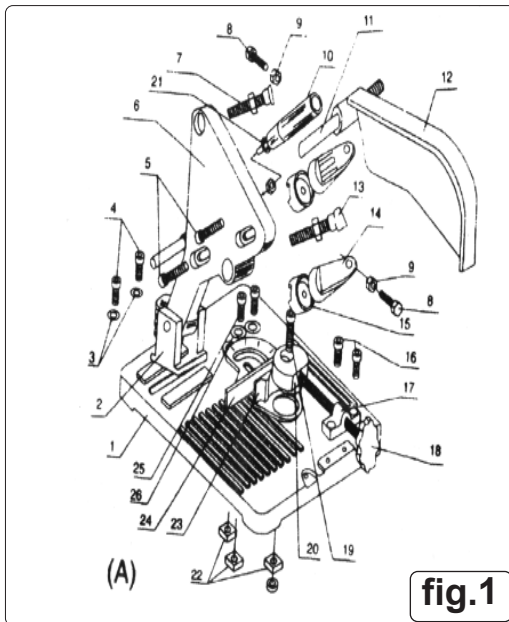


fig.1

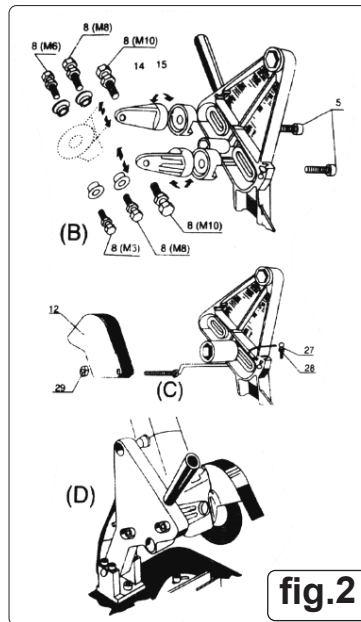


fig.2

5. ASSEMBLY

- ❑ **WARNING!** Always unplug the unit before assembly or maintenance.
- 5.1. Secure the stand (2) onto the base (1) using washers (3) and tighten with screws (4).
- 5.2. Attach the top adjusting screws (7) and bottom adjusting screws (13) to the respective holes at the top and bottom of the stand.
- 5.3. Fix two angle grinder holders (14) along with the round plastic ring (15) to the stand by tightening screws (5).
- 5.4. Attach the handle (10) to the stand using the washer (21) and the provided nut.
- 5.5. Secure the grinder to the holders using screws (8) and nuts (9). Note: Screws (8) and nuts (9) come in three diameters (M6, M8, M10). Select the screws compatible with the fixing nut of the angle grinder. When using M6 or M8 screws, ensure the plastic ring is fitted onto the holder beforehand (Refer to Fig.2).
- 5.6. Adjust screws (7) and (13) to align the cutting blade vertically with the base, ensuring the angle grinder is securely fixed.
- 5.7. Press down the handle and verify that the cutting blade aligns with the cutting hole in the base. If misaligned, loosen screws (4) and adjust the stand's position.
- 5.8. Install the protective guard as shown in Fig.2.
- 5.9. Run the grinder briefly, switch it off, and check that all screws, nuts, and bolts are tightly secured.

6. OPERATION

- 6.1. **CLAMPING THE WORKPIECE**
 - 6.1.1. Rotate the screw knob (18) to loosen the clamp (23).
 - 6.1.2. Position the workpiece within the clamp and tighten the screw to secure it firmly.
- 6.2. **ADJUSTING POSITION AND ANGLE**
 - 6.2.1. Loosen the screws (25) to modify the clamp's (24) position and angle.
 - 6.2.2. Once the desired adjustment is made, tighten the screws securely.
 - 6.2.3. Ensure the workpiece is centered on the cutting disc before proceeding.
- 6.3. **CUTTING**
 - 6.3.1. Turn on the angle grinder.
 - 6.3.2. Gently press down on the handle (10) to cut through the workpiece using the angle grinder.
Note: Begin cutting with light pressure and maintain even force throughout the process.

7. MAINTENANCE

- 7.1. Keep the Angle grinder stand clean and free of dust, metal debris and dirt.
- 7.2. Check the grinding wheel before each use to make sure it isn't damaged. Do not use a grinding wheel if it is chipped, cracked, or worn. You can check if the wheel has cracks not visible to the human eye by hanging it up by the central hole and tapping it with a non-metal object (i.e. screwdriver handle). If it is in good condition it will produce a metallic ringing sound. A dull sound indicates a crack or break.



ENVIRONMENT PROTECTION

Recycle unwanted materials instead of disposing of them as waste. All tools, accessories and packaging should be sorted, taken to a recycling centre and disposed of in a manner which is compatible with the environment. When the product becomes completely unserviceable and requires disposal, drain any fluids (if applicable) into approved containers and dispose of the product and fluids according to local regulations.

Note: It is our policy to continually improve products and as such we reserve the right to alter data, specifications and component parts without prior notice. Please note that other versions of this product are available. If you require documentation for alternative versions, please email or call our technical team on technical@sealey.co.uk or 01284 757505.

Important: No Liability is accepted for incorrect use of this product.

Warranty: Guarantee is 12 months from purchase date, proof of which is required for any claim.



REGISTER YOUR
PURCHASE HERE

Jack Sealey Ltd t/a Sealey Group, Kempson Way, Suffolk Business Park, Bury St Edmunds, Suffolk, IP32 7AR UK
Jack Sealey (EU) Ltd t/a Sealey Group, Farney Street, Carrickmacross, Co. Monaghan, A81 PK68 Ireland
Tel: 01284 757500 • **Email:** sales@sealey.co.uk • **Web:** www.sealey.co.uk