



# LOADING BAY FLOODLIGHT WITH FLEXIBLE ARM 20W SMD LED

MODEL NO: LED20WDL

Thank you for purchasing a Sealey product. Manufactured to a high standard, this product will, if used according to these instructions, and properly maintained, give you years of trouble free performance.

**IMPORTANT:** PLEASE READ THESE INSTRUCTIONS CAREFULLY. NOTE THE SAFE OPERATIONAL REQUIREMENTS, WARNINGS & CAUTIONS. USE THE PRODUCT CORRECTLY AND WITH CARE FOR THE PURPOSE FOR WHICH IT IS INTENDED. FAILURE TO DO SO MAY CAUSE DAMAGE AND/OR PERSONAL INJURY AND WILL INVALIDATE THE WARRANTY. KEEP THESE INSTRUCTIONS SAFE FOR FUTURE USE.



Refer to instructions

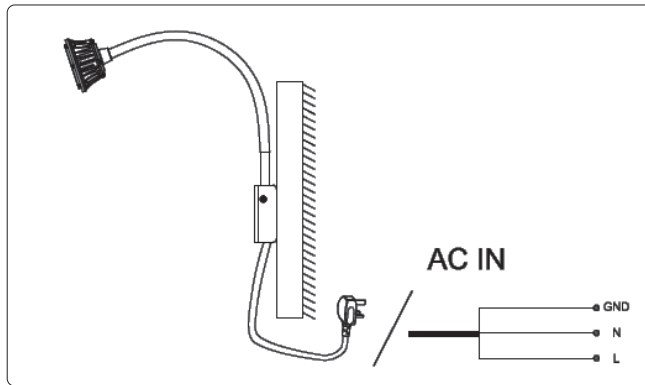


Risk of shock

## 1. SAFETY

### 1.1. ELECTRICAL SAFETY

- WARNING!** It is the user's responsibility to check the following:
  - ✓ Check all electrical equipment and appliances to ensure that they are safe before using.
  - ✓ Inspect power supply leads, plugs and all electrical connections for wear and damage.
  - ✓ Ensure that the insulation on all cables and on the appliance is safe before connecting it to the power supply.
  - ✗ **DO NOT** use worn or damaged cables, plugs or connectors.
  - ✓ Ensure that any faulty item is repaired or replaced immediately by a Sealey qualified technician.
  - ✓ If the cable or plug is damaged during use, switch off the electricity supply and remove from use.
  - ✓ Sealey recommend that an RCD (Residual Current Device) is used with all electrical products.
- Important:** Ensure that the voltage rating on the appliance suits the power supply to be used and that the plug is fitted with the correct fuse.
- ✗ **DO NOT** pull or carry the appliance by the power cable.
- ✗ **DO NOT** pull the plug from the socket by the cable.
- ✓ To reduce the risk of strangulation the flexible wiring connected to this luminaire shall be effectively fixed to the wall if the wiring is within arms reach.
- ✓ The light source contained in this luminaire shall only be replaced by the manufacturer or his service agent or a similar qualified person.



## 2. INTRODUCTION

Powerful 20W SMD LED provides up 3000lm with a wide spread of light. Illuminating the whole work area. Reduces risk of accidents or damage by clearly lighting loading bays. Weatherproof flexible arm can extend up to 70cm in any direction. Provides the optimum electrical input for the light which ensures the maximum lifespan for the LEDs. Suitable for use in industrial and professional environments with IP65 rating.

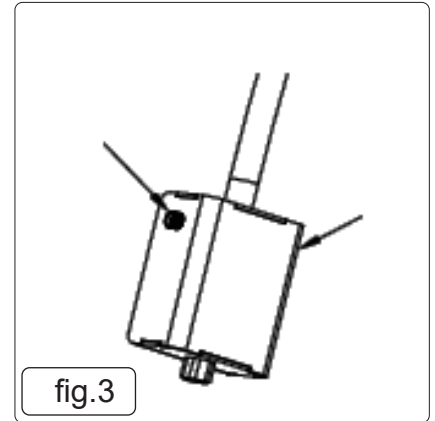
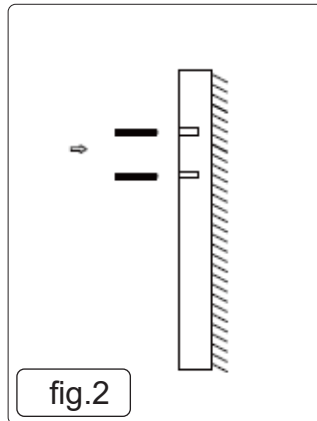
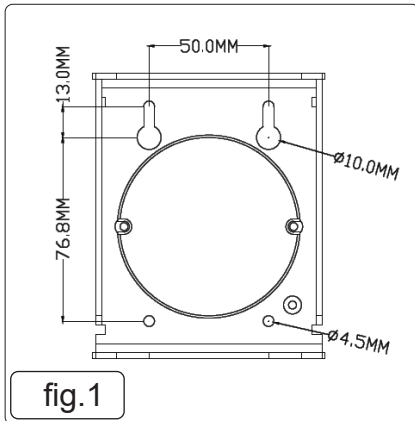
## 3. SPECIFICATION

Model No	LED20WDL
Fuse Rating	13A
IP Rating	IP65
LED Type	20W SMD
Lumen Output	3000lm
Nett Weight	1.9kg
Plug Type	3-Pin BS

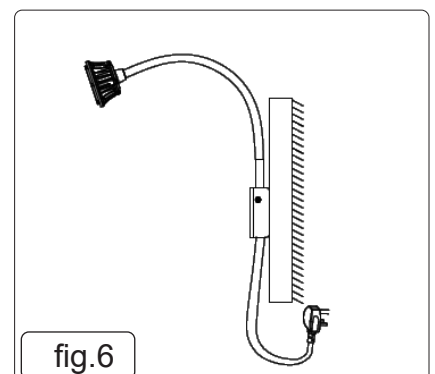
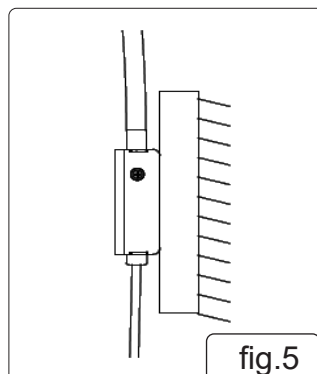
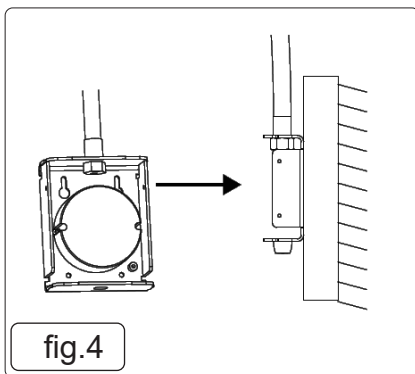
Power Supply Cable Length	1.5m
Supply	230V~50Hz

## 4. INSTALLATION

- ❑ **WARNING!** Mount floodlight on a flat and solid wall such as breeze block that is strong enough to securely hold the unit when fully extended.



- 4.1. Secure solid to structures using an M6 plastic expansion wall plug and screw (fig.2).
- 4.2. To access the enclosure, first detach the cover by unscrewing the two fasteners positioned on the enclosure's side. Then, slide the cover upward along the flexible tube until the back-plate assembly is fully exposed (fig.3).



- 4.3. The recommended mounting height for the unit is between 1.22m and 1.5240m from the floor, measured from the bottom of the enclosure. Using the two key-hole slots in the back-plate assembly as a template, drill appropriately sized holes for the fasteners or wall anchors. Secure the back-plate in place using M4 screws. Position the unit as close to the door track as possible, ensuring it does not interfere with any moving parts of the door (fig.4).
- 4.4. Once the unit is securely mounted to the wall, lower the cover into place and reattach the two side fasteners (fig.5).
- 4.5. Connect the unit to an electrical outlet that meets the specifications listed on the product label (fig.6).

## 5. MAINTENANCE

- ❑ **WARNING!** Disconnect from mains supply.
- 5.1. Clean the casing externally (**not the glass**) with a moist cloth.
  - × **DO NOT** use solvents or abrasives.
  - 5.2. If necessary, clean the glass with alcohol and a soft cloth.



### ENVIRONMENT PROTECTION

Recycle unwanted materials instead of disposing of them as waste. All tools, accessories and packaging should be sorted, taken to a recycling centre and disposed of in a manner which is compatible with the environment. When the product becomes completely unserviceable and requires disposal, drain any fluids (if applicable) into approved containers and dispose of the product and fluids according to local regulations.



### WEEE REGULATIONS

Dispose of this product at the end of its working life in compliance with the EU Directive on Waste Electrical and Electronic Equipment (WEEE). When the product is no longer required, it must be disposed of in an environmentally protective way. Contact your local solid waste authority for recycling information.

**Note:** It is our policy to continually improve products and as such we reserve the right to alter data, specifications and component parts without prior notice.

**Important:** No Liability is accepted for incorrect use of this product.

**Warranty:** Guarantee is 12 months from purchase date, proof of which is required for any claim.



Sealey Group, Kempson Way, Suffolk Business Park, Bury St Edmunds, Suffolk. IP32 7AR

01284 757500

sales@sealey.co.uk

www.sealey.co.uk